



**CAMELEON A LED**  
8451 WH

## CAMELEON A LED

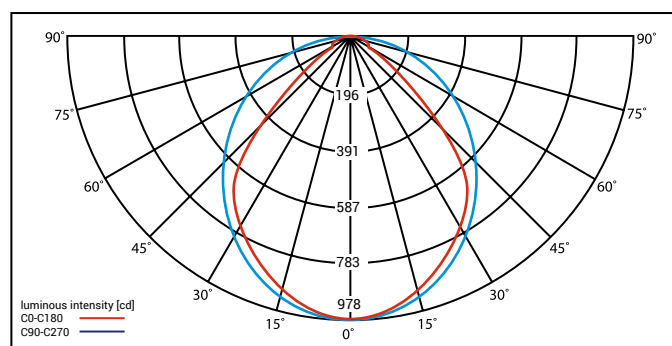
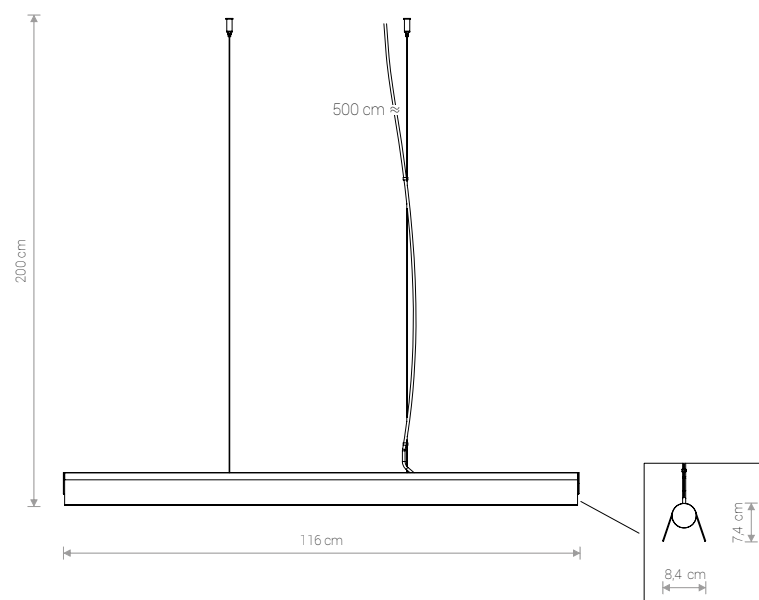
painted steel, PC / stal lakierowana, PC / лакированная сталь, PC

8451 ○ WH 8450 ● BL

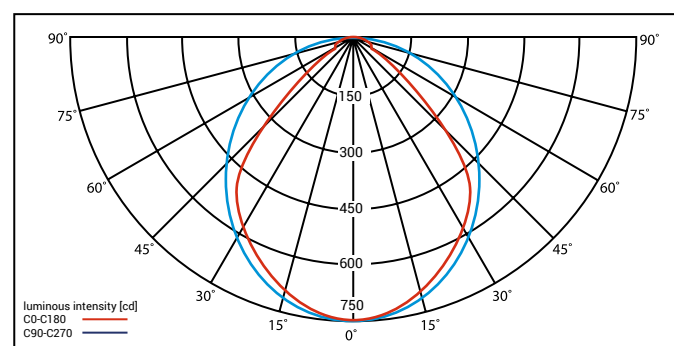
36W LED

works with / zastosuj z / применять с

A (8566 WH, 8564 BL), B (8610 WH, 8608 BL)  
E (8551 WH, 8550 BL), F (8548 WH, 8547 BL)



Beam cone diagram - 8451 WH



Beam cone diagram - 8450 BL

Item No.	INPUT POWER	COLOUR TEMP.	LUMINOUS FLUX	LUMINAIRE EFFICIENCY	COLOUR RENDERING INDEX (CRI ≥)	INPUT	LIFETIME
8451	36 W LED	3000K	2200 lm	60 lm/W	80	~230V, 50Hz	50 000 h
8450	36 W LED	3000K	1500 lm	40 lm/W	80	~230V, 50Hz	50 000 h



**CAMELEON Q LED**  
8452 BL

## CAMELEON Q LED

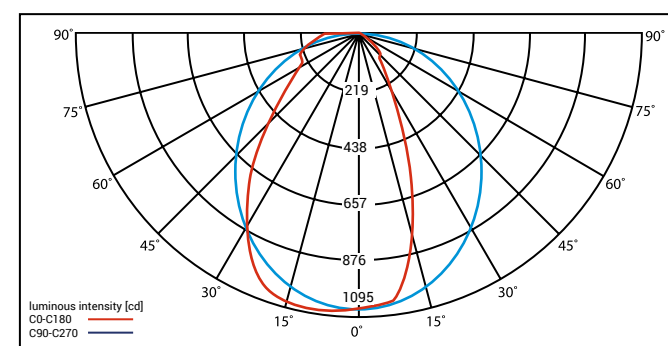
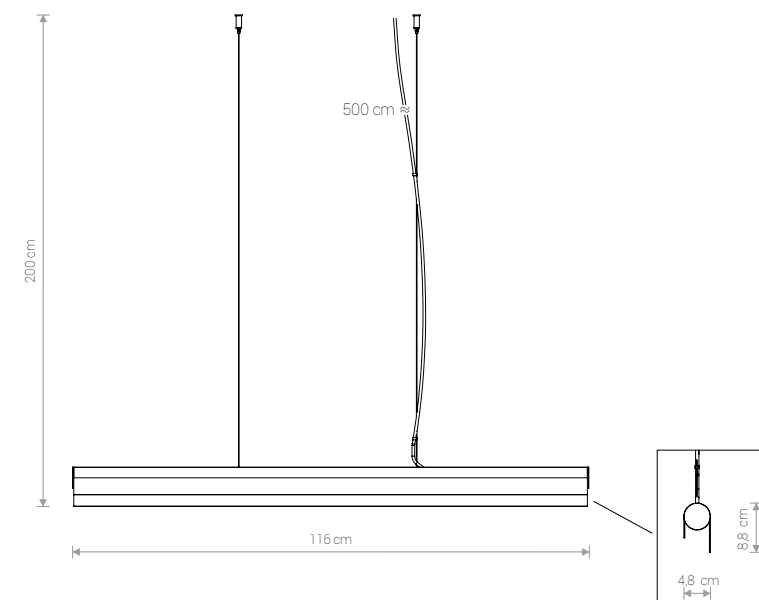
painted steel, PC / stal lakierowana, PC / лакированная сталь, PC

8453 ○ WH 8452 ● BL

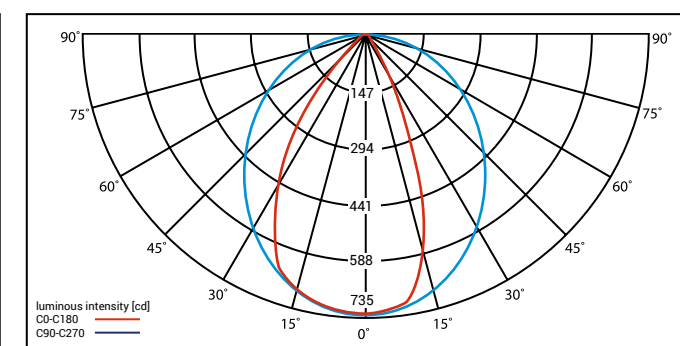
36W LED

works with / zastosuj z / применять с

A (8566 WH, 8564 BL), B (8610 WH, 8608 BL)  
E (8551 WH, 8550 BL), F (8548 WH, 8547 BL)



Beam cone diagram - 8453 WH



Beam cone diagram - 8452 BL

Item No.	INPUT POWER	COLOUR TEMP.	LUMINOUS FLUX	LUMINAIRE EFFICIENCY	COLOUR RENDERING INDEX (CRI ≥)	INPUT	LIFETIME
8453	36 W LED	3000K	2100 lm	60 lm/W	80	~230V, 50Hz	50 000 h
8452	36 W LED	3000K	1100 lm	30 lm/W	80	~230V, 50Hz	50 000 h