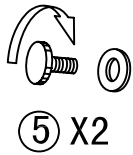
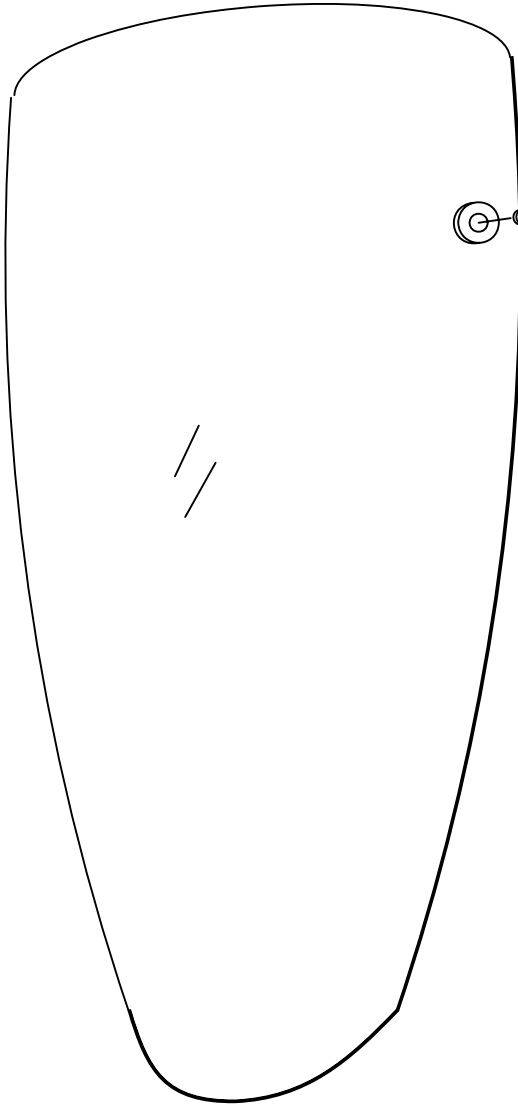


A

B

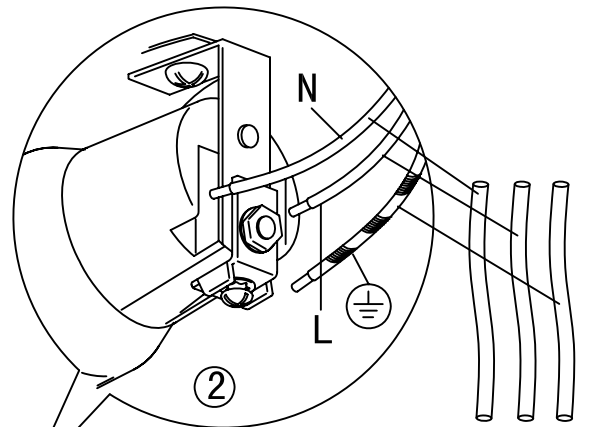


5 X 2

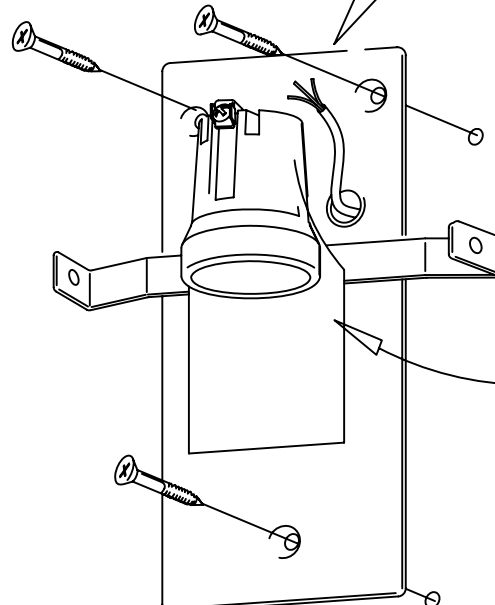


4

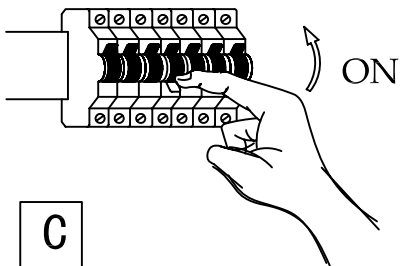
1 X 3



2



3



C

BLA83119