

**Product Feature:**

Item No.: M24AX20A



1. 5050 SMD LED as light source,super luminous flux,large viewing angle,even lighting,low attenuation.
2. Best cost performance,high color consence.
3. 98% transmittance lens,viewing angle:120°
4. IP grade:IP65
5. The exposed Aluminum plate for heat dissipation
6. Energy saving,environment-friendly,long life span50,000hrs.

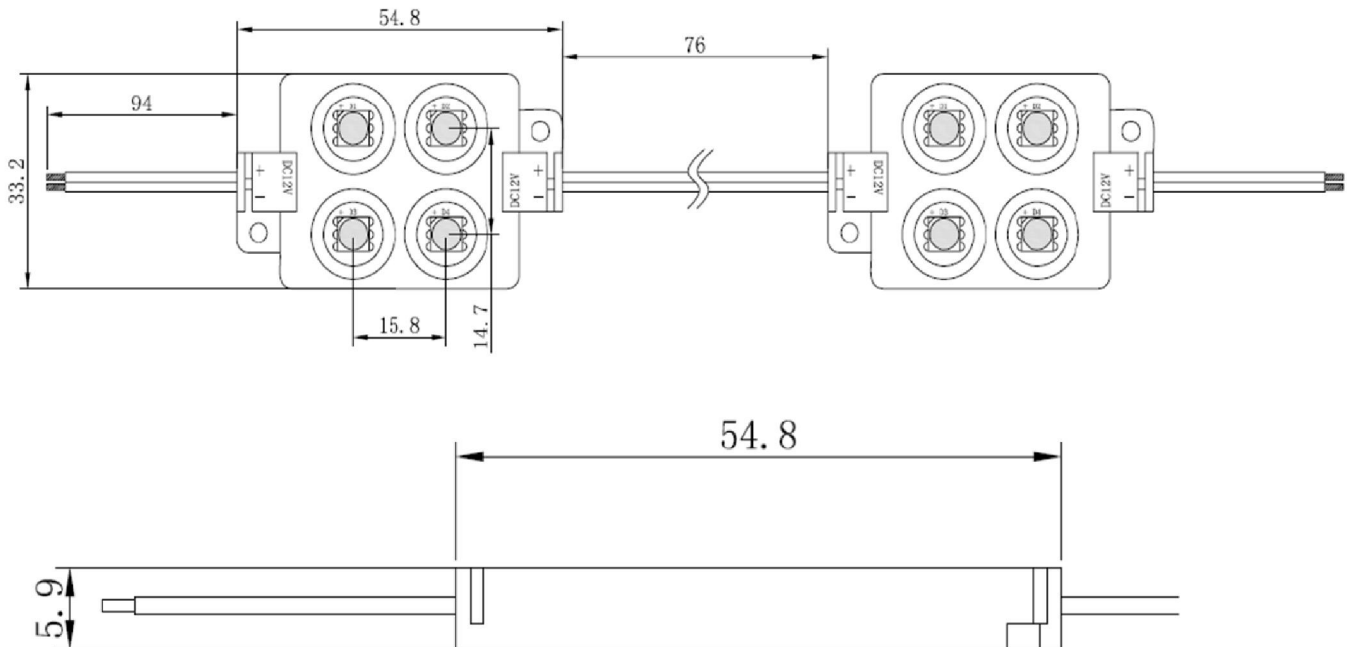
**Specification**

Item No.	LED type	Angle	Available Color	Luminous Flux(lm)	Wavelength Scope(nm/K)	Working Voltage	Power	Life Span
M24AR20A	TOP 5050	≥120	Red	26	619-635	DC12V	0.96W/pcs	50 000h
M24AY20A		≥120	Yellow	72	584-595			
M24AG20A		≥120	Green	16	512-528			
M24AB20A		≥120	Blue	20.8	463-475			
M24AN20A		≥120	Warm white	53.8	2700-3300			
M24AW20A		≥120	Pure white	53.8	5500-6500			
M24AW20A		≥120	Cold white	53.8	8000-17000			

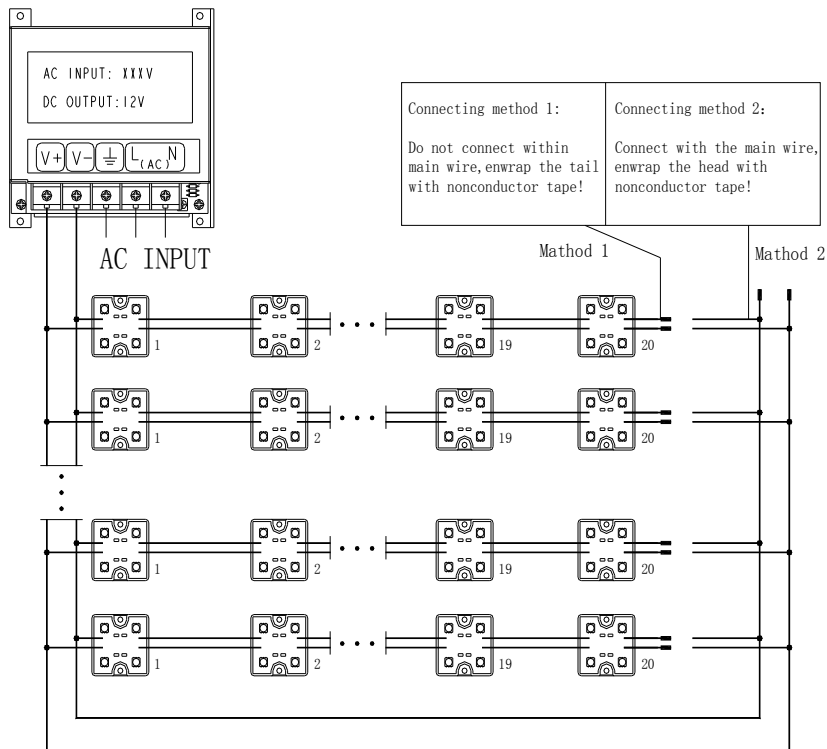
**Parameters**

LED Qty	Max Length	IP grade	Wires	Shell	Driving Method	Working Temperature	Store Temperature
4pcs	≤ 20pcs	IP65	20 modules /chain,with UI1007 20#white wires with the length of 100mm	ABS	constant voltage	-40℃ —— +50℃	-50℃ —— +60℃

**Dimension (Unit:mm) :**



**Connection Diagram (Unit: mm)**



1. The thickness of the wires shall be adopted based on the possible current, products power, length of the wire extension (5 meter at maximum as recommended) and the loss in the wires transit at low voltage.
2. The both ends of extension shall be dealt with as waterproof;
3. Don't work under the situations of touching in static-electronics environments or light on
4. The modules can be connected to 20 pcs at maximum and no exceed;
5. Suggest choosing high-qualified switch power ( have shortelectronics , overvoltage and overloading protection function etc)